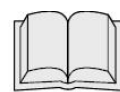


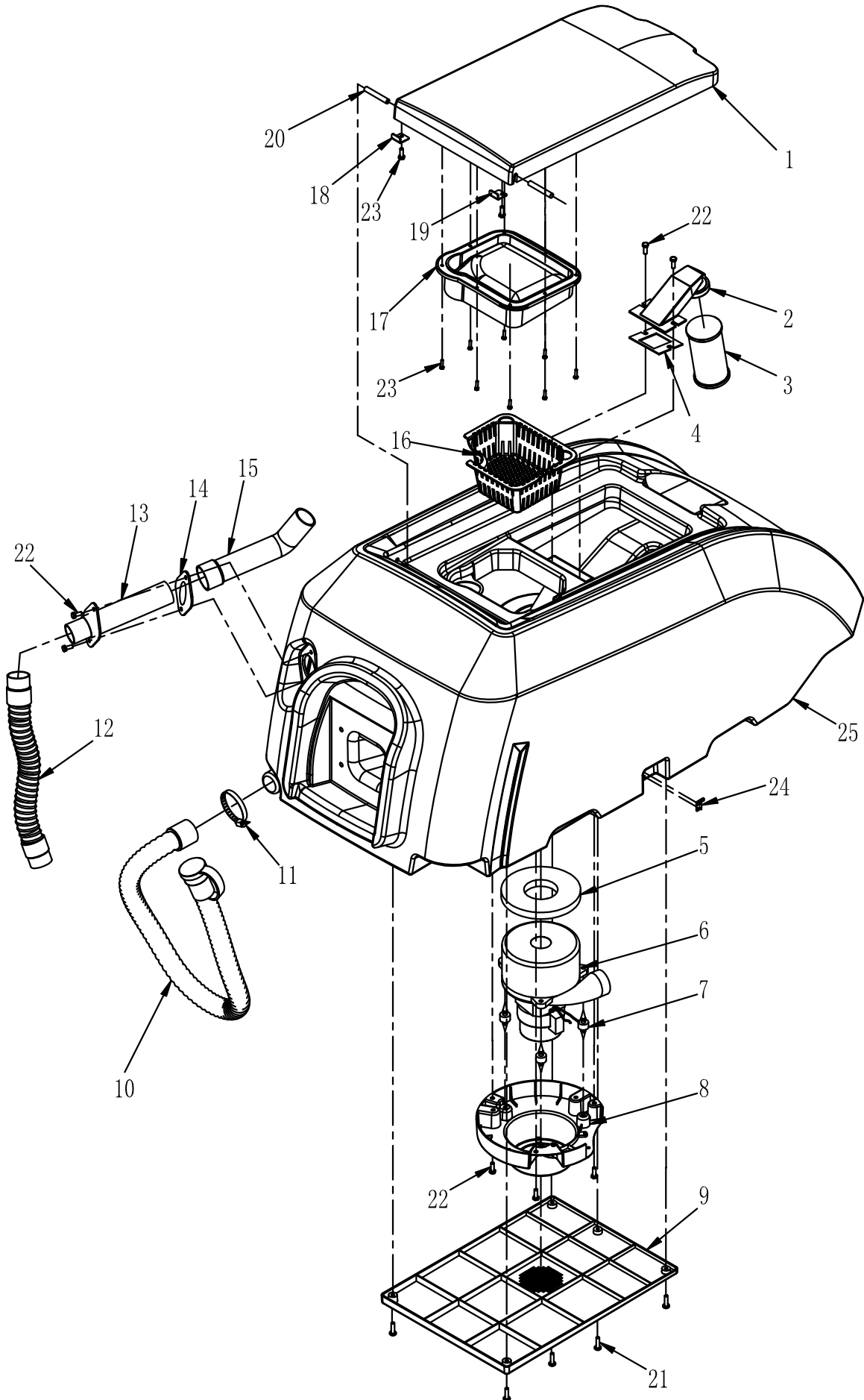
# FD70

Walk behind scrubber  
Manual book

2019年5月版



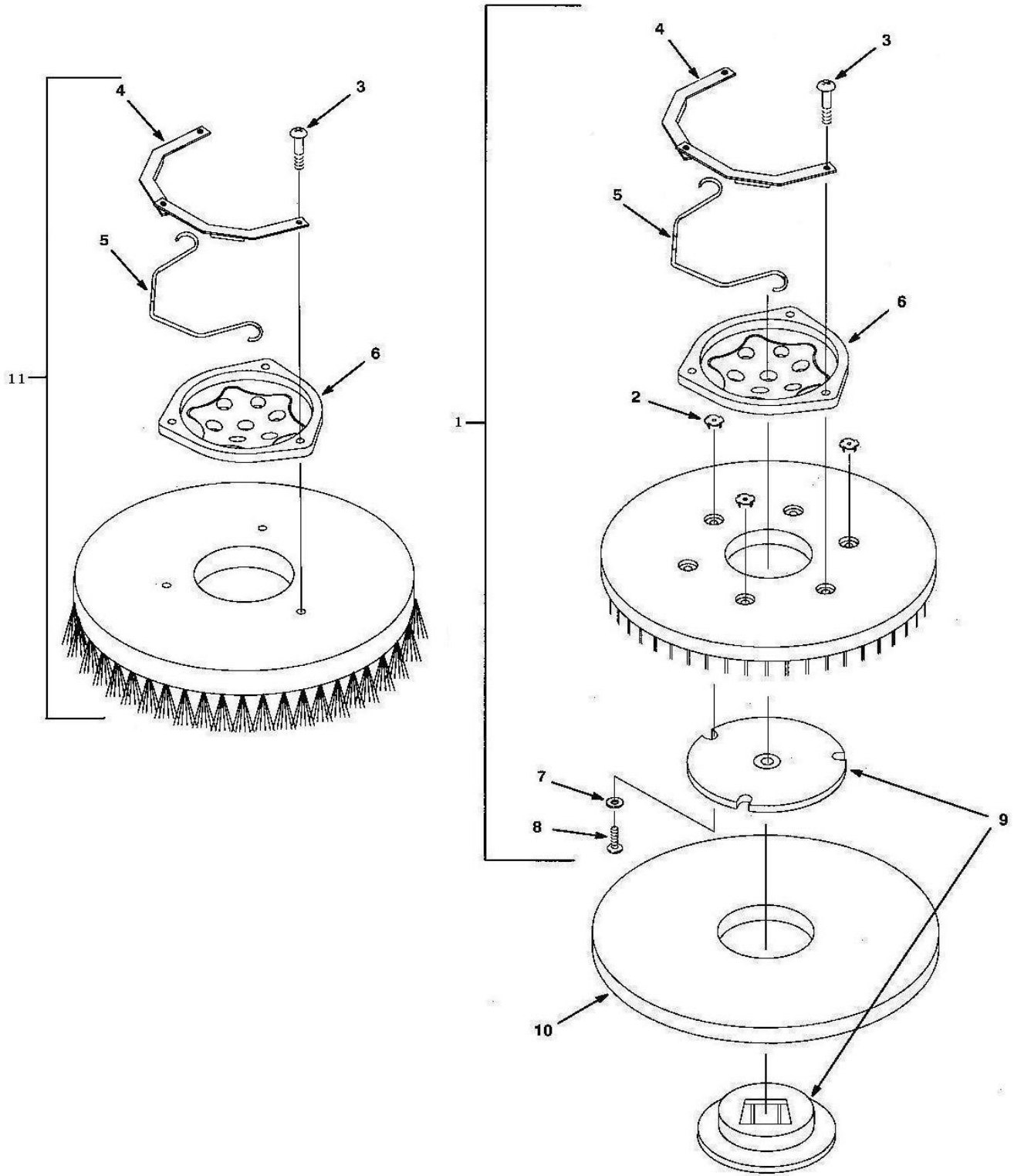
# RECOVERY TANK



## RECOVERY TANK

REF	NO	DESCRIPTION	QTY
1	FD851703	Tank Lid	1
2	570006	Connect,Joint,Float	1
3	170008	Float, Shut-Off, 2 Balls	1
4	570005	Gasket, Connect,Joint,Float	1
5	Z50203	Vacuum motor Gasket	1
6	Z50201	Vacuum motor	1
7	Z30204	Isolation Gasket	3
8	F501707	Vacuum motor cover	1
9	FD851707	Vacuum motor plate	1
10	170002	Drian pipe	1
11	190001	Clamp, Hose, Wormdrive	1
12	F501901	Pipe, Sewage, Suction	1
13	170001	Tube, Hose	1
14	370008	Gasket, Adapter, Hose	1
15	FD851709	Long Curve	1
16	F501700	Garbage Basket	1
17	FD851708	Lid Assy	1
18	FD851601 Left	Lid pin plate Left	1
19	FD851601 Right	Lid pin plate Right	1
20	FD851602	Pin	2
21	818	M6*20 Screw	5
22	933	M6*16 Screw	7
23	845	Φ4*16 Screw	10
24	560003	Bracket, Lock	1
25	FD851704	Recovery tank	1

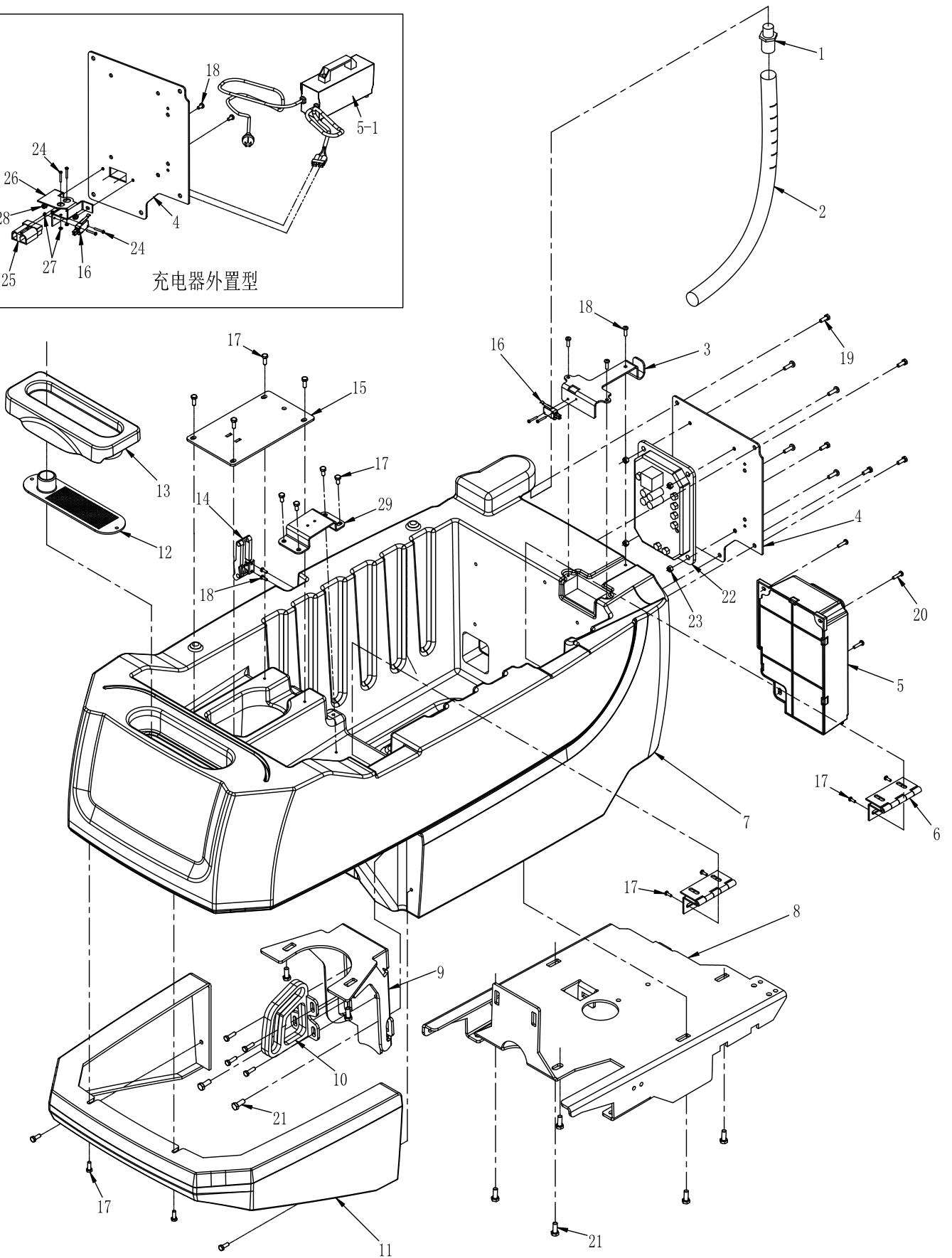
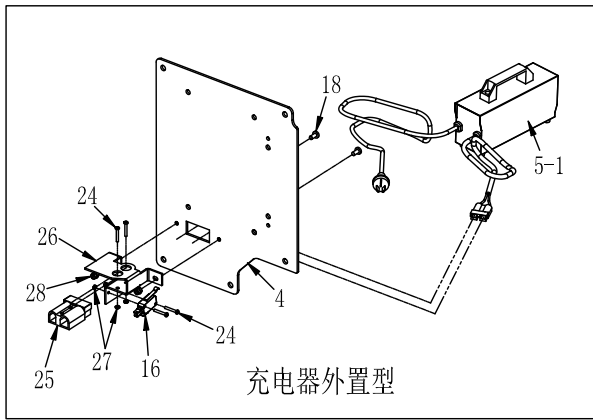
# REPLACEMENT BRUSH AND PAD



## REPLACEMENT BRUSH AND PAD

REF	NO	DESCRIPTION	QTY
1	S50101	Drive Assy, Pad	2
2	S50109	M4 NUT	3
3	LS0030	M6×40 Screw	3
4	S50102	Bracket, Spring	2
5	T15008	Spring, Brush	1
6	S50103	Drive Device	1
7	PD0003	M4 Gasket	3
8	LS0013	M4×25 Screw	3
9	S50104	Device, Centering	1
10	S50105	13.5 Pad	
10	S50106	13.5 Pad	
10	S50107	13.5 Pad	
11	S50108	Drive Assy, Brush	2

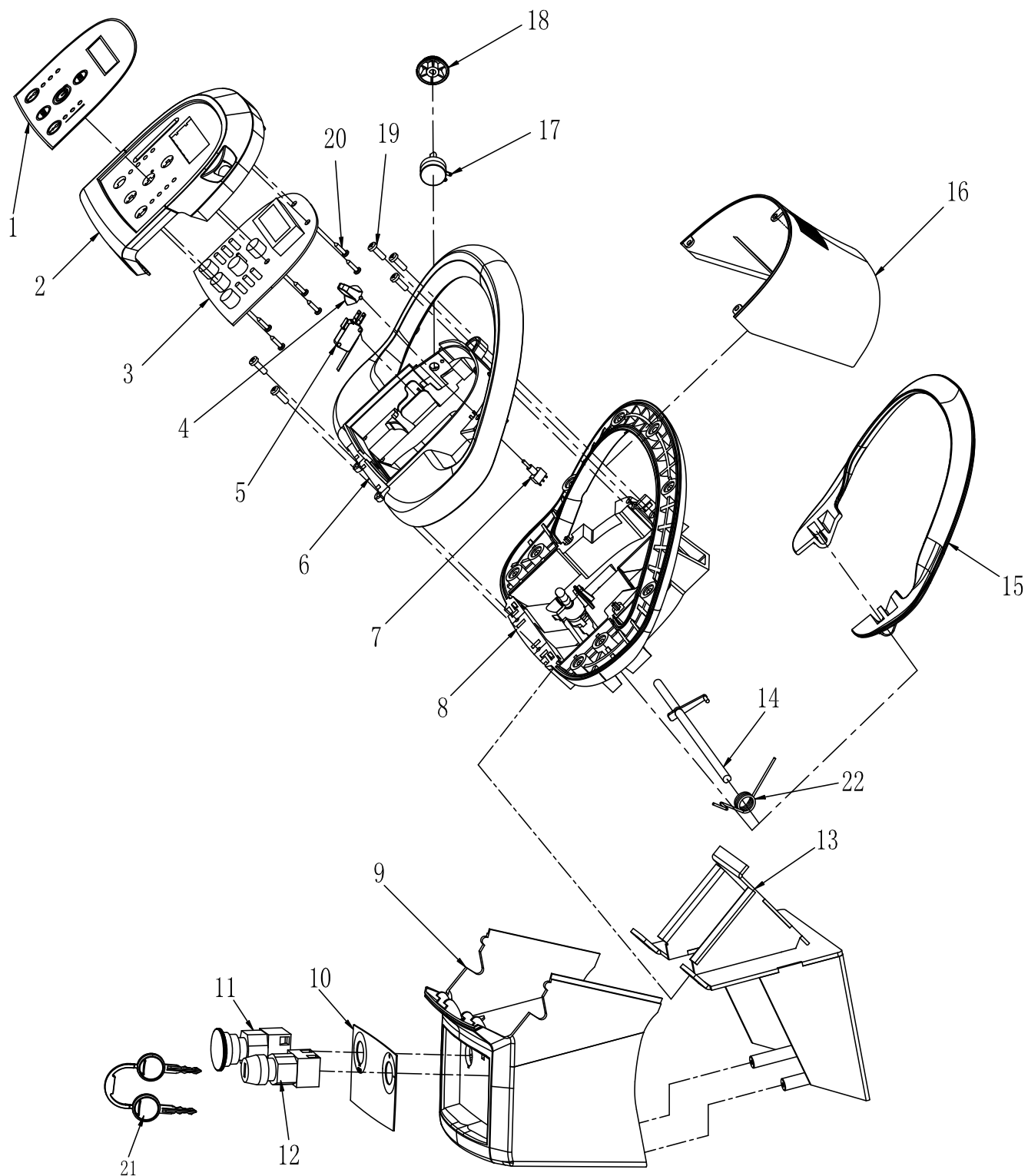
# SOLUTION TANK



## SOLUTION TANK

REF	NO	DESCRIPTION	QTY
1	570013	Connector	1
2	FD851901	Hose, Water Level	1
3	FD851604	Pipe hook	1
4	FD851603	Electrical Installation Board	1
4	TB0085	Sticker ( Charger built in )	1
4	TB0086	Sticker ( Charger built out )	1
5	580008	Charger ( built in )	1
6	560001	Hinge	2
7	FD851705	Solution tank	1
8	FD851609	Bottom	1
9	560027	Bracket	1
10	560028	Roller, Control, Lift	1
11	FD851706	Bumper Assy	1
12	FD851701	Water inlet filter	1
13	FD851703	Lid Assy	1
14	570010	Bar	1
15	560026	Bracket	1
16	280001	Switch	1+1 ( Built out )
17	933	M6*16 Screw	12
18	818	M5*12 Screw	7
19	818	M6*16 Screw	9
20	818	M5*20 Screw	3
21	933	M8*20 Screw	13
22	FD851801	Controller	1
23	934	M6 Nut	4
24	818	M3*20 Screw	4
25	180030	Plug	1
26	FD851616	Charger out built bottom	1
27	985	M3 Nut	4
28	985	M5 Nut	2
29	FD851619	Fix plate, big plug	1

# CONTROL PANEL GROUP

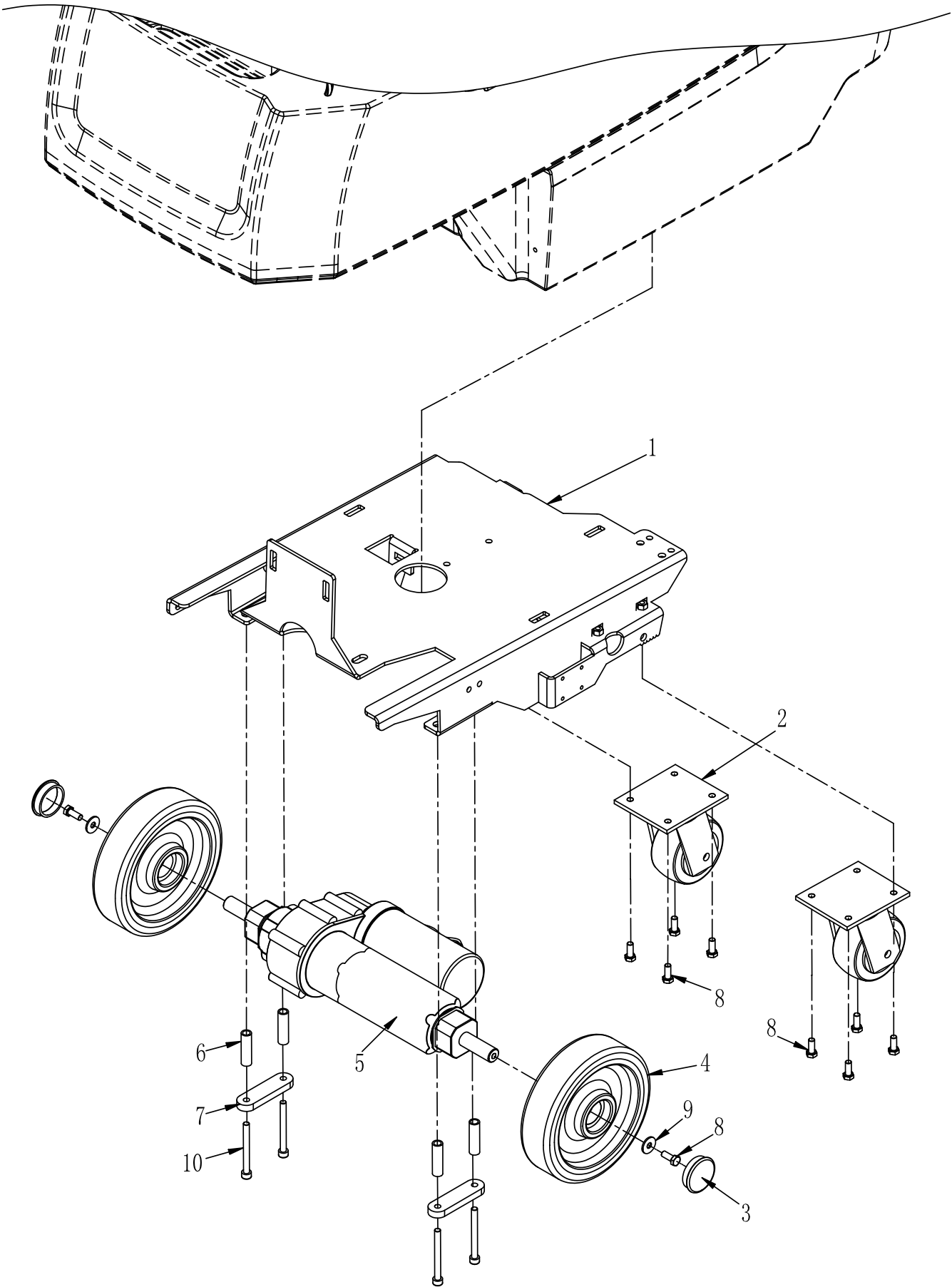




## CONTROL PANEL GROUP

REF	NO	DESCRIPTION	QTY
1	TB0073	Panel sticker	1
2	F501723	Control panel cover	1
3	FD851803	Control panel	1
4	F501719	Button	1
5	280001	Start switch	1
6	F501720	Operation handle cover	1
7	F501802	Back/front switch	1
8	F501721	Operation handle cover back	1
9	FD851711	Switch panel	1
10	TB0075	Lock sticker	1
11	780017	Stop switch	1
12	FD1301801	Lock	1
13	FD851608	Bracket	1
14	F501606	Fix pole	1
15	F501601	Start pole	1
16	F501713	Handle cover	1
17	F501801	Governor	1
18	F501709	Governor, knob	1
19	818	M4*16 Screw	5
20	845	Φ3*12 Screw	6
21	FD1301804	Key	2
22	T15011	Spring	1

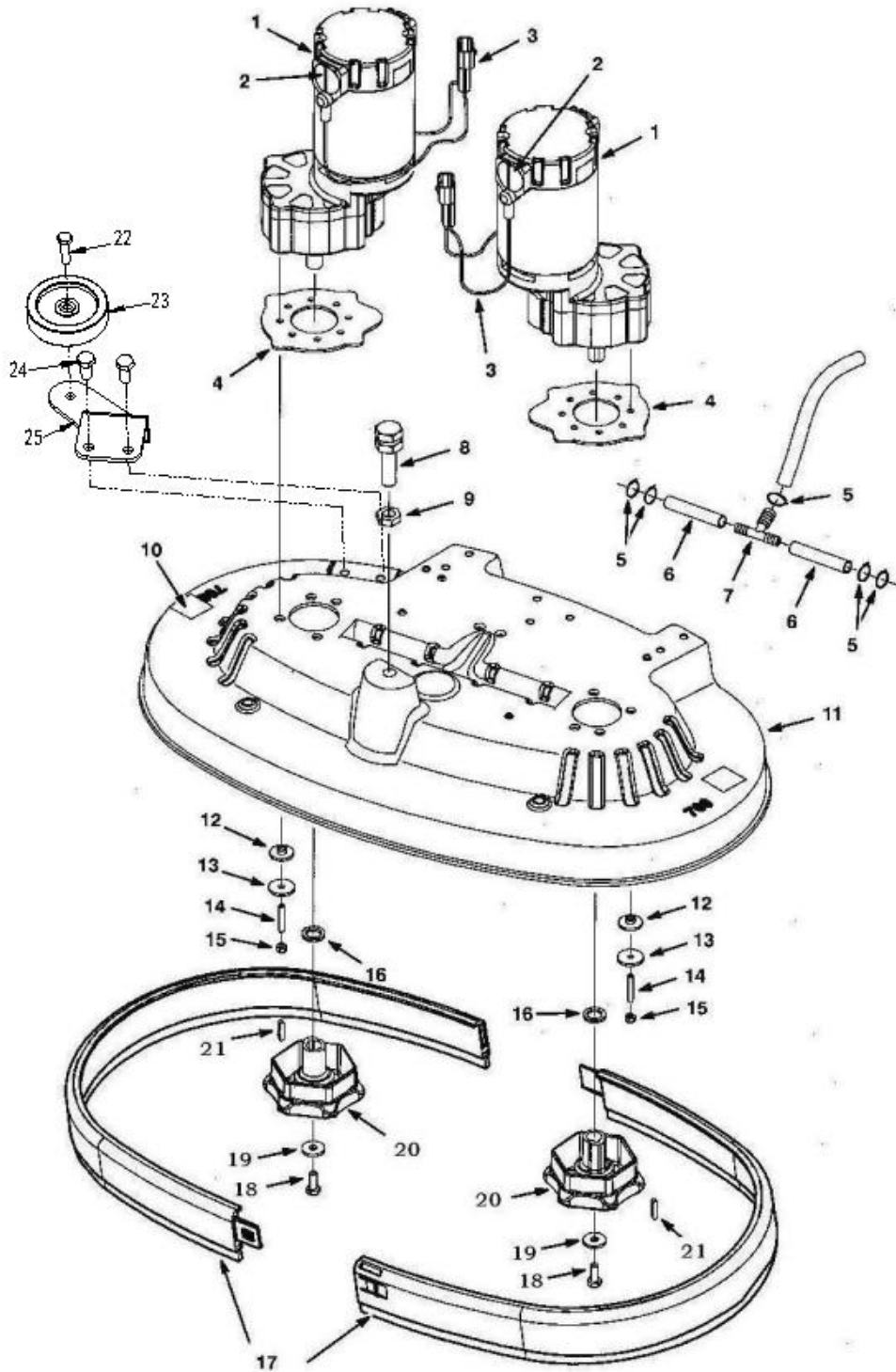
# WHEEL GROUP



## WHEEL GROUP

REF	NO	DESCRIPTION	QTY
1	FD851609	Plate Back	1
2	590041A	Caster,Bracket	2
2	590041NEW	Wheel core	2
3	590037	Wheel cover	2
4	<u>390048</u>	Front wheel ( Rough surface )	2
5	Q50401	Transaxle	1
6	560057	Pin	4
7	560056	Transaxle ,Pressing plate	2
8	933	M8*20 Screw	10
9	PD008	8*22*2 Gasket	2
10	912	M8*75 Screw	4

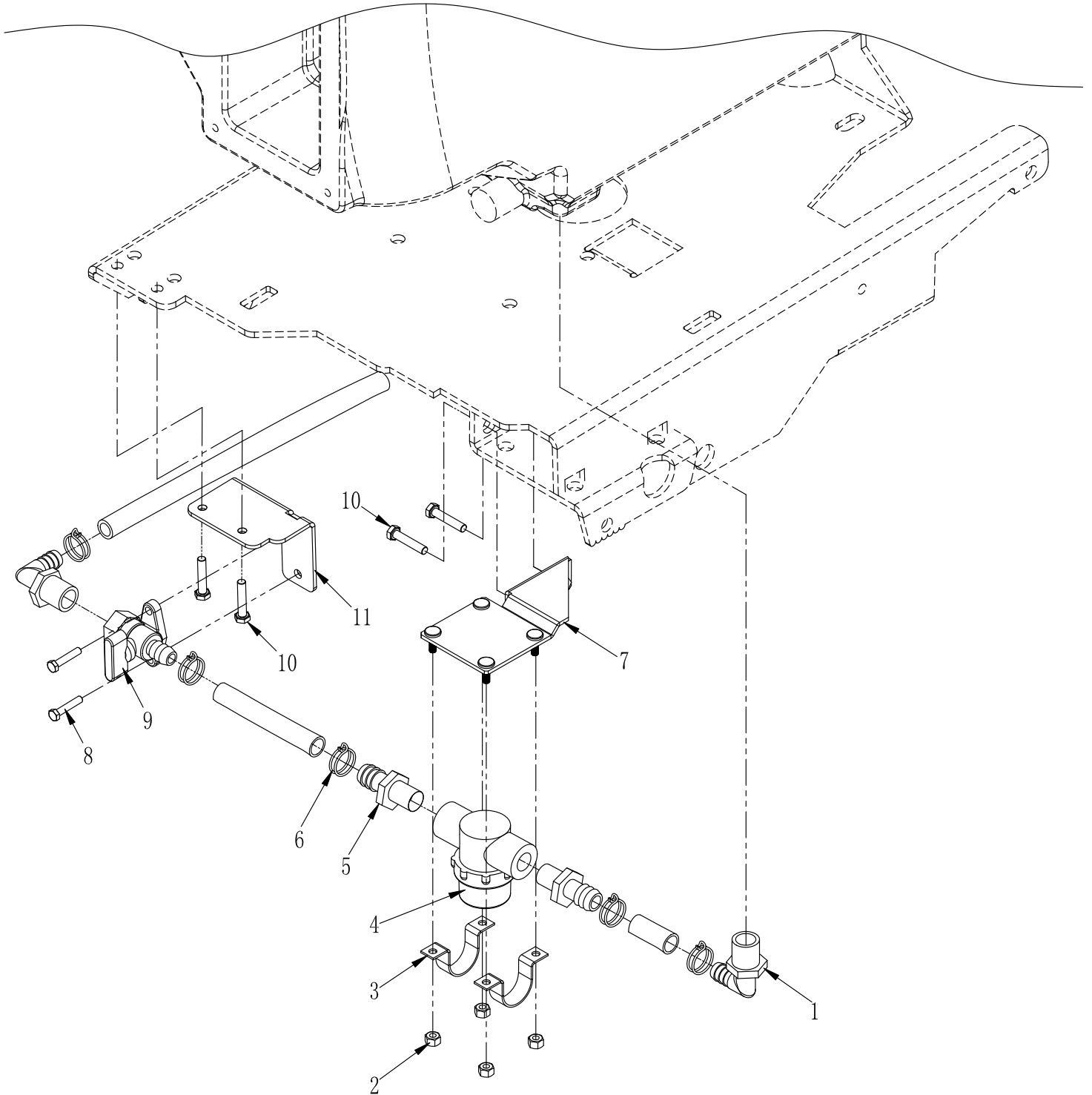
# PLATE AND MOTOR



## PLATE AND MOTOR

REF	NO	DESCRIPTION	QTY
1	M50301	Gearbox, Motor	2
2	M50302	Brush Motor	1
3	M50303	Connector, Wiring	1
4	M50304	Rubber Plate, Fixed	2
5	590011	Tie, Cable	7
6	570021	Pipe, Plastic	2
7	570023	Tee Fittings	1
8	LS0058	Screw, Discharge Brush	1
9	LM0023	Nut, Discharge Brush	1
10	590015	Label, Warning	2
11	560053	Housing, Head	1
12	570022	Rubber Vibration Pad	8
13	PD0012	Gasket 6*27*2.5	8
14	LS0029	M6×35 Scerw	8
15	LM0008	M6 Nut	8
16	590016	Axle gasket	2
17	570043	Round Water Fender	1
17		Hairbrush	1
18	933	M8×20 Screw	2
19	PD0018	Gasket 8*32*2.5	2
20	560022	Brush Driver	2
21	590017	Bolt	2
22	933	M8*30 Screw	1
23	190015	Fender wheel	1
24	933	M8*20 Screw	2
25	560023	Bracket, Wheel	1

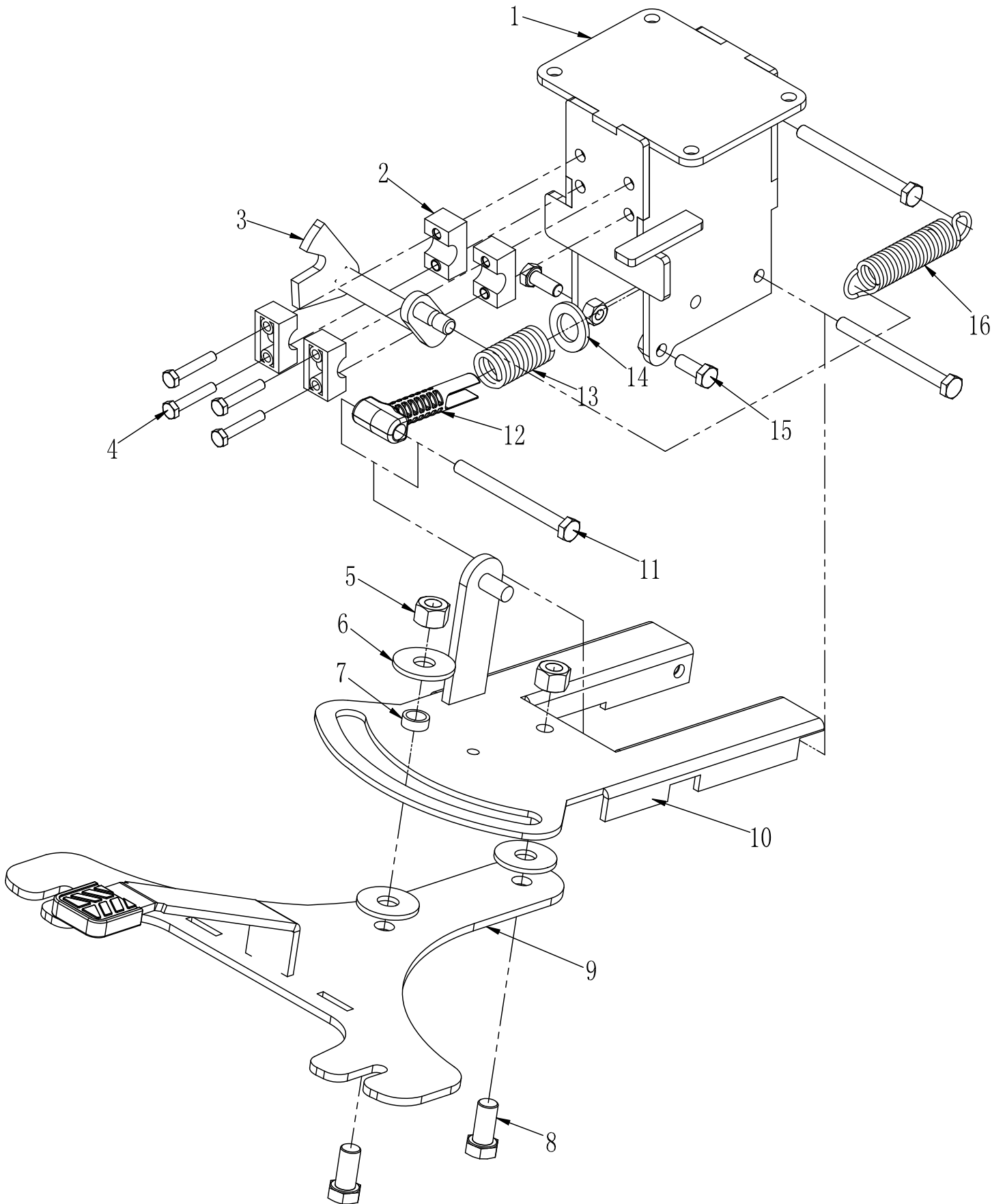
# ELECTRONIC VALVE COMPONENTS



## ELECTRIONIC VALVE COMPONENTS

REF	NO	DESCRIPTION	QTY
1	570029	Connector,Filter	2
2	934	M6 Nut	4
3	360032	Bracket, Filter	2
4	170010	Filter	1
5	570031	Straight Connector,Filter	2
6	190004	Clip	5
7	560034	Filter holder	1
8	933	M5*25 Screw	2
9	<a href="#">280003P</a>	Electrionic Valve	1
10	933	M6*30 Screw	4
11	FD851605	Plate	1

# SQUEEGEE LIFT GROUP



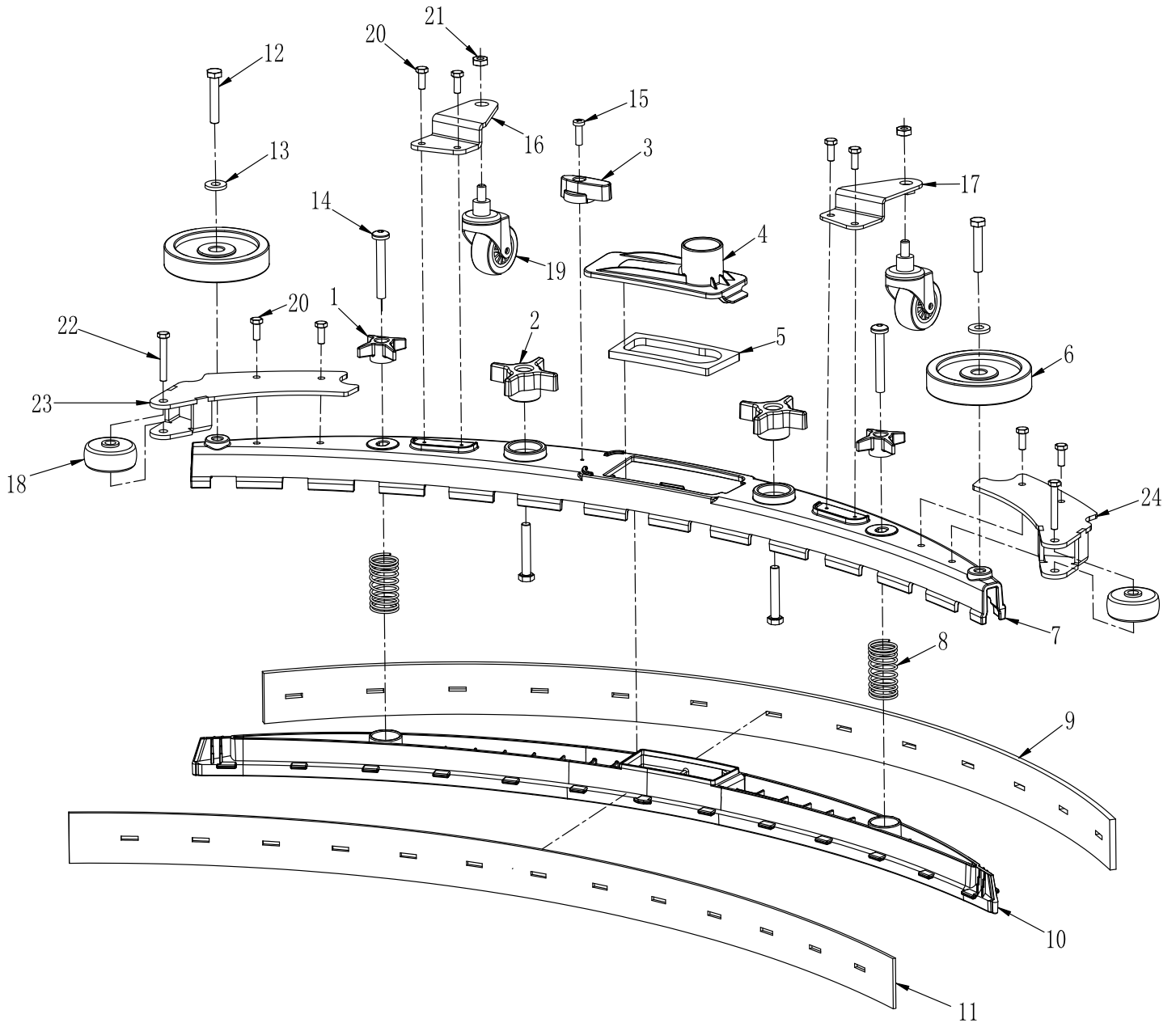


## SQUEEGEE LIFT GROUP

REF	NO	DESCRIPTION	QTY
1	FD851611	Sqg lift seat	1
2	670023	Bracket,Sqg lift pole	4
3	FD851610	Sqg lift axle	1
4	933	M6*30 Screw	4
5	934	M12 NUT	2
6	PD011	12*32*1.5 Gasket	3
7	FM006	12*16*5.5 powder metallurgy	1
8	933	M12*30 Screw	1
9	FD851613	Squeegee Plate	2
10	FD851612	Squeegee,Bracket	1
11	933	M8*80 Screw	3
12	270001P	Bracket,Sqg lift spring,thick	1
13	T12008	Sqg lift spring,thick	1
14	PD0024	20*35*2.5 Gasket	1
15	933	M8*20 Screw	2
16	<a href="#">T180002</a>	Spring	1

(目前用 T180002 代替)

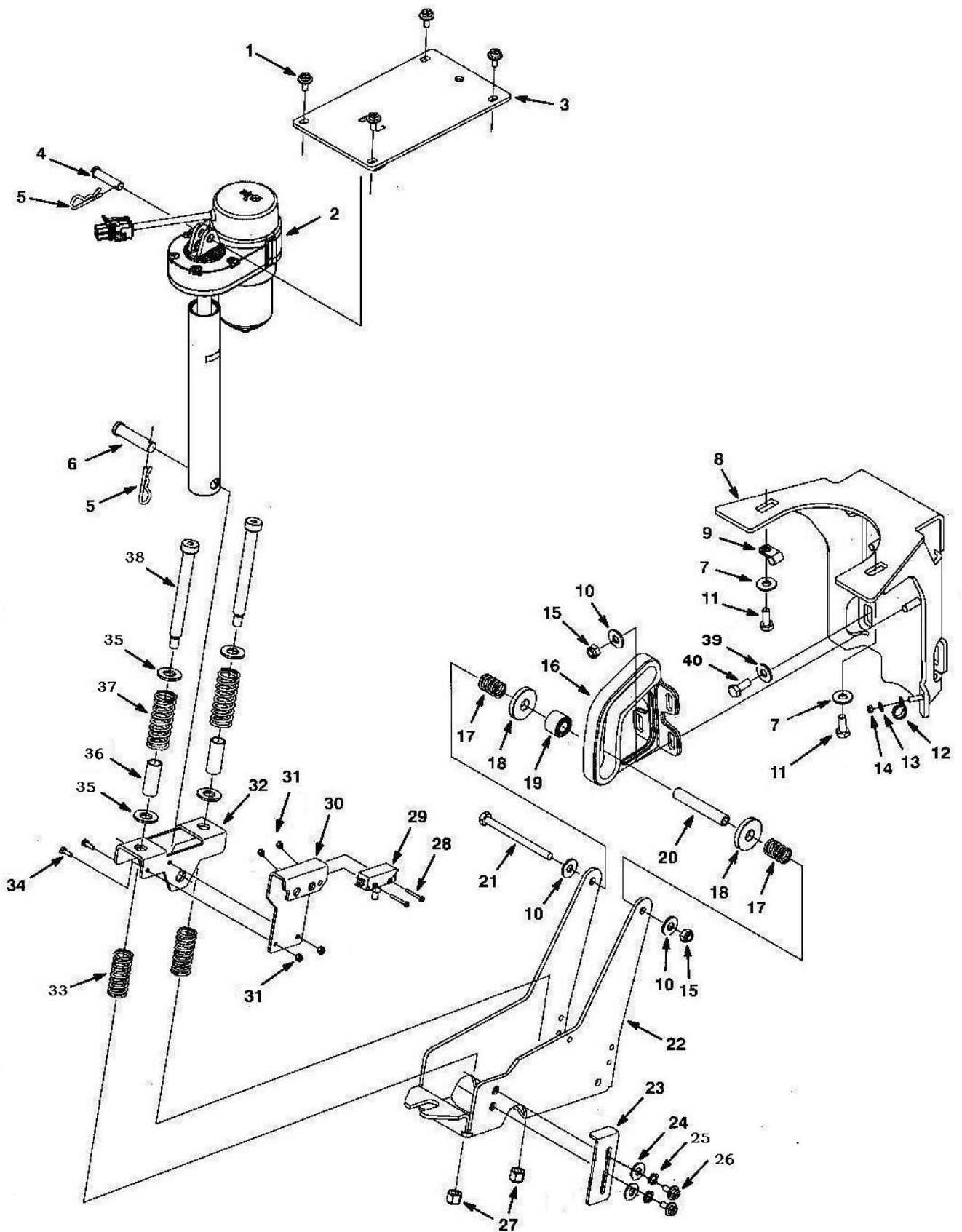
# SQUEEGEE GROUP



## SQUGGEE GROUP

REF	NO	DESCRIPTION	QTY
1	170018	Knob, Star, Small	2
2	170017	Knob, Star, Big	2
3	870002	Sqg inlet water knob	1
4	270004PX	Squeegee mouth	1
5	290004P	Squeegee mouth sponge	1
6	190015	Fender wheel	2
7	FD1301650	Squeegee frame	1
8	T12006	Spring	2
9	FD1301727	Blade, Sqge, Back	1
10	FD1301708	Holder, Blade	1
11	FD1301726	Blade, Sqge, Front	1
12	933	M8*30 Screw	2
13	PD0008	Φ8*22 Gasket	2
14	LS Hexagon screw	M8*60 Screw	2
15	912	M6*20 Screw	1
16	FD851606	Fender wheel	1
17	FD851607	Bracket,Left	1
18	290002P ( small )	Small Wheel, Squeegee	2
19	190016	Small Wheel, Squeegee	2
20	933	M6*16 Screw	8
21	934	M8 Nut	2
22	933	M8*45 Screw	2
23	FD851614	Squeegee plate,Right	1
24	FD851615	Squeegee plate,Left	1

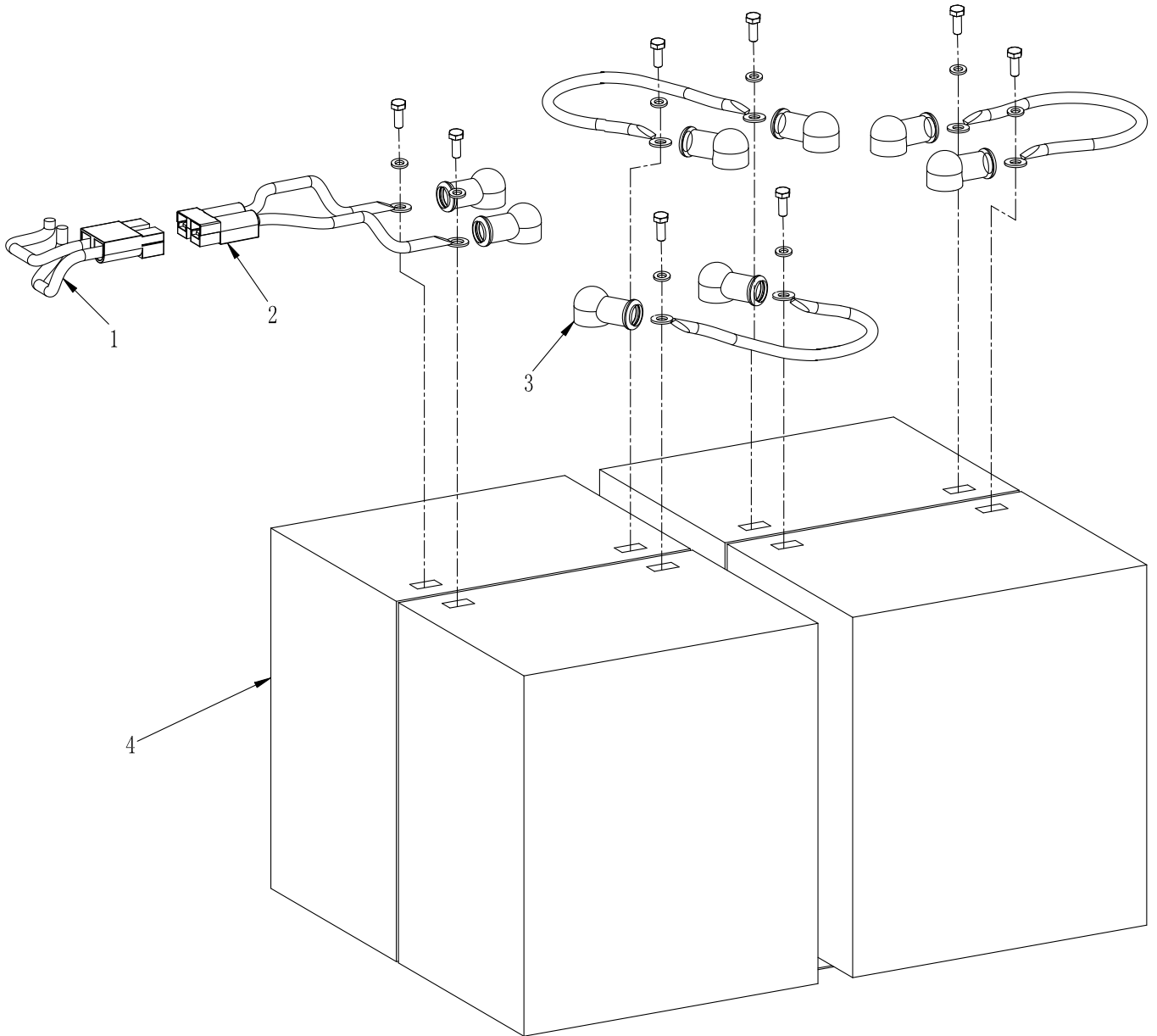
# BRUSH LIFT GROUP



## BRUSH GROUP

REF	NO	DESCRIPTION	QTY
1	LS0026	M6×16 Screw	4
2	580002	Actuator, 24V	1
3	560026	Bracket	1
4	190025	Pin	1
5	190018	R clip	2
6	190021	Pin	1
7	PD0015	Gasket , 8mm×25mm×3mm	2
8	560027	Guide Bracket	1
9	180070	CC-4	1
10	PD0018	Gasket , 8mm×32mm×2.5mm	6
11	LS0037	M8×20 Screw	2
12	180070	CC-4	1
13	PD0005	M5 Gasket	1
14	LM0004	M5 NUT	1
15	LM0010	M8 NUT	5
16	560028	Roller, Control, Lift	1
17	T15003	Spring, Balance	2
18	PD0023	Gasket	2
19	570028	Rolling Roll	1
20	790066	Sleeve	1
21	LS0049	M8×100 Screw	1
22	560029	Lift Frame, Brush	1
23	560030	Bracket,Switch	1
24	PD0006	M6 Gasket	2
25	PD0007	M6 Gasket	2
26	LS0023	M6×12 Screw	2
27	LM0010	M8 Nut	2
28	LS0002	M3×25 Screw	2
29	180018	Position Switch	1
30	560031	Bracket	1
31	LM0002	M4 Screw	4
32	560032	Lower Bracket	1
33	T15004	Spring	2
34	LS0008	M4×12 Screw	2
35	PD0020	Gasket , 12mm×32mm×1.5mm	4
36	CT5006	Sleeve	2
37	T15005	Spring	2
38	590020	Bolt	2
39	PD0016	Gasket , 8mm×22mm×2mm	2
40	LS0039	M8×25 Screw	2

# BATTERY GROUP



## BATTERY GROUP

REF	NO	DESCRIPTION	QTY
1	FD851804	Thread	1
2	180030	Charger plug	1
3	170018 ( 1 )	Harness, Battery	8
4	590040	Battery	4